

1

2

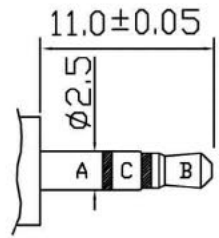
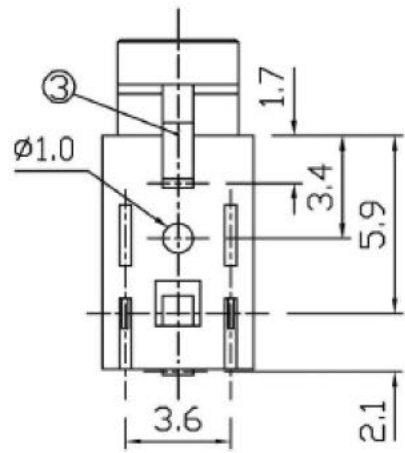
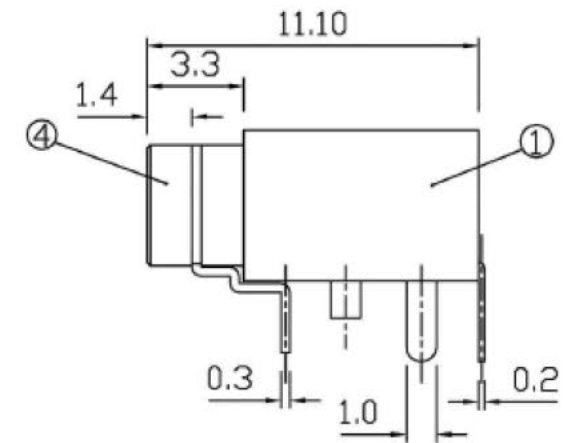
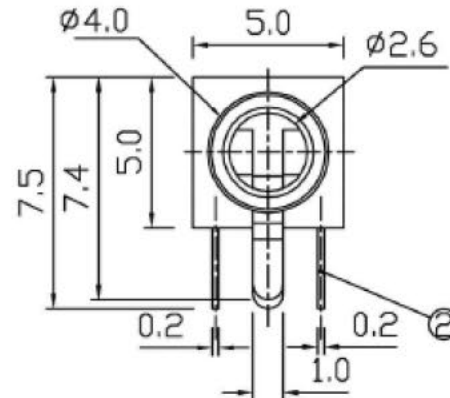
3

4

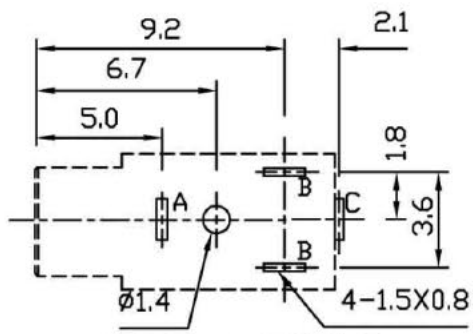
5

SPECIFICATION

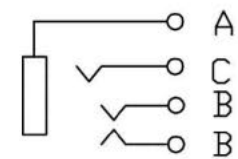
RATING:	DC 30V 0.3A
CONTACT RESISTANCE:	50mΩ MAX
INSULATION RESISTANCE:	100MΩ AT 500V DC
WITHSTAND VOLTAGE:	AC 500V for 1 minute
OPERATION FORCE:	REFER ATTACH SPECIFICATION
SWITCHING LIFE:	5k cycles min



MATING PLUG



P.C.B LAYOUT



SCHEMATIC

	Part NO.	SM C04 0253 A					
	Product Name	Socket Jack 2,5mm Stereo PCB 90° w/o Thread	Drawing NO.				
Tolerance	Drawing	Auditing	Confirm	Drawing Sub	YIT	A4	
X ± 0.50	X.* ± 2°	Kevin.H	Jerry.H	Jack.L			
.X ± 0.30	.X.* ± 1°	Date	Date	Date			
.XX ± 0.0	.XX.* ± 0.5°						
.XXX ± 0.05							

